

Model type:
MB91(IX)AUS

Commercial code:
F044556

General notes

Technical Documentation guidelines

You can find herewith some generic information to simplify consulting of technical documentation:

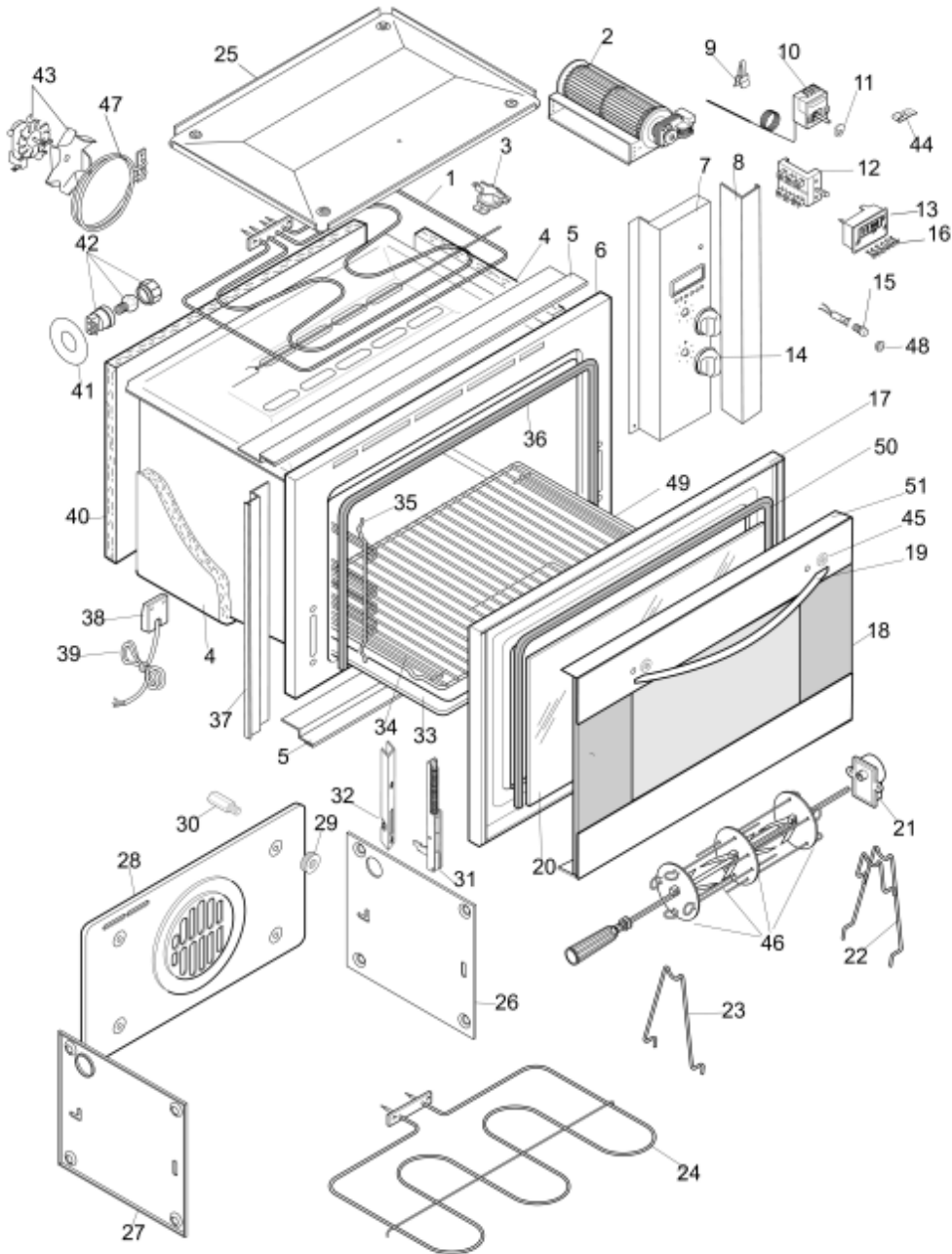
1. Models of same range share the same exploded views, which report the richest set of spare parts: generally, a model does not necessarily have a related spare part for each particular shown on exploded views.
2. Some spare parts can not be represented directly on the exploded views (instruction booklets, specific kit, etc...). You can find those codes in the spare parts list with the same reference of particular where spares are installed or with references 099, 999. Instruction booklets, once managed, appear with 000 reference.
3. On the higher right site of each exploded view there is a serial number which indicates the beginning of the production of certain range: some models might have more than an exploded view for a given category, each distinguished by a different serial no. and linked to another spare parts list, In this case, serial no. is required to supply the right spare part code. Exploded view to be considered is the one with a more recent serial no. but previous than the one of the model that needs assistance.
4. Exploded views might require further updates even after publishing. Addition of new spares will go on following the already existing numeration references. Revision number of an exploded view is shown into last four digits of serial number into upper right hand corner.
5. The spare parts list associated to an exploded view shows related codes of spares managed for a certain model; for each spare part other informations are available:

REF: reference no of spare into a table; SUBSTITUTE: list of spare(s) which can replace a code but that keeps same functional characteristics

INDUSTRIAL CODE: list of variables of a model (shown into model label) where such spare is used; NOTICE: code of information(s) to refer to complete technical intervention, track for changes or to find correct spare part code.
6. Some notices, into a same section are generic therefore cannot be directly linked to a spare part. In order to assist a model in the best way as possible, it is helpful to pay attention to all notices and constantly verify documentation updates
7. Technical documentation cover shows model name and its commercial codes

4525460

Exploded views



4525460

4525460

Spare parts list

Ref.	Code	From	To S/N	Substitute	Description	Notice	Industrial
000	C00193965				user instruct.booklet gb		
001	C00141175 (482000022947)				upper grill heating element		
002	C00193969				motor ventilation(tangential) mm26		
003	C00049968 (482000026713)				thermostat non adjustable		
004	C00092897 (488000092897)				oven insulation		
005	C00065822 (488000065822)				upper/lower profile for frame		
006	C00090725 (482000077564)				oven gas - enamelled		
007	C00091625 (488000091625)				dashboard mb91 inox		
008	C00091626				side frame rh - stainless		
009	C00039578 (482000022614)				push in spring clip - thermostat capillar		
010	C00089745 (482000022747)				thermostat		
011	C00053696 (482000074817)				push in spring clip - thermostat		
012	C00052299 (482000026786)				light switch 10 pole star		
013	C00051477 (482000022634)				electronic program eaton 220- 240v (rh)		
014	C00085557 (482000027680)				inox oven knob		
015	C00144548 (482000029913)				pilot light con faston		
016	C00090737 (482000027842)				knob ix (electronic prog) - star		
017	C00143724 (482000029814)				inner door		

018	C00193964 (482000083091)		oven door glass inox
019	C00085561 (488000085561)		door handle - stainless
020	C00143726 (482000029816)		inner glass
021	C00141179 (482000081649)		motor -rotisserie
022	C00049974 (482000026716)		rotisserie support
023	C00049973 (482000026715)		holder tbc?
024	C00141176 (482000029546)		lower heating element - 1300w
025	C00193992		upper panel self-cleaning oven
026	C00193993 (482000083094)		rh oven liner panel - self cleaning
027	C00193994 (482000083095)		lh oven liner panel - self cleaning
028	C00193995 (482000062042)		oven inner back panel- self cleaning
029	C00302785 (482000032241)		impellor zincato
030	C00051017 (482000026747)		pin mm26
031	C00083113 (482000027588)		oven door hinge (fixed pivot)
032	C00075148 (482000053760)	1 x C00271825 (482000031064)	roller support m26
033	C00076073 (482000027368)		enamelled drip tray
034	C00110232 (482000028455)		ov grid shlf aus bk-stp with hook

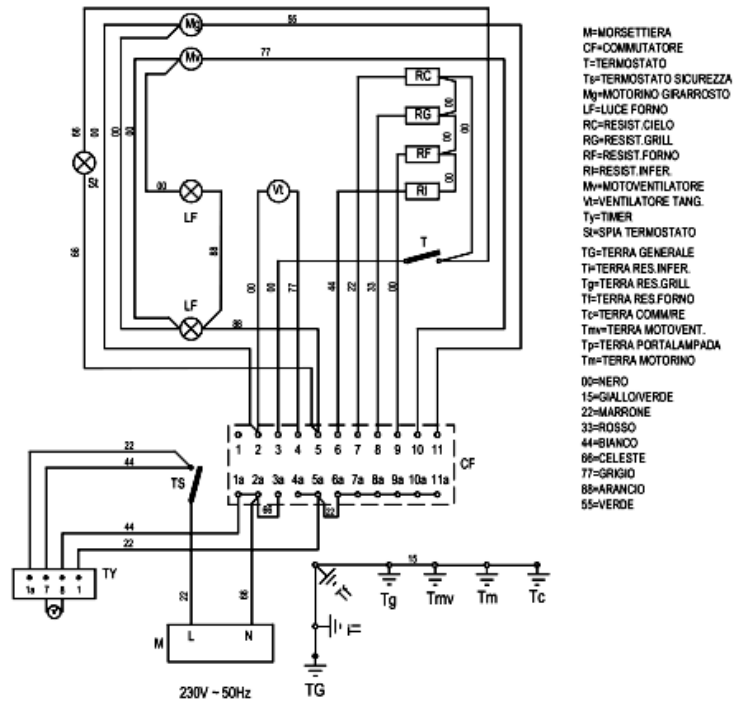
4525460

Spare parts list

Ref.	Code	From	To S/N	Substitute	Description	Notice	Industrial
035	C00066389 (482000027231)				side shelf		
036	C00091946 (482000022767)				oven door seal		
037	C00084408				side frame lh -		
038	C00056382 (482000026959)				terminal block		
039	C00062003 (482000075225)				supply cable 16a		
040	C00049970				oven insulation - back		
041	C00052172 (482000074678)				protection		
042	C00050003 (482000074502)			1 x C00280056 (482000031467)	lamp-holder complete		
043	C00060312 (482000027104)				fan motor		
044	C00049971 (482000074501)				flat spring retainer-thermos.capil. mm26		
045	C00082473 (482000022713)				handle spacer		
046	C00096739 (482000078366)				turnspit kit f.90 multispiedo		
047	C00141180 (482000022948)				heating element fan oven v230 mfv		
048	C00074135 (482000022675)				neon lens clear		
049	C00110231 (482000079559)				oven grid shelf s/support aus (90)		
050	C00193991 (482000030163)				joint inner glass		
051	C00145640 (482000030033)				handle support		
099	C00091964				kit glass lid 90cm		

Electric schemes and links

Cod. 16001133401



Legend

Legend: 16001133401

AE	Ignition transformer	PE	Plate electric (Normal and Rapid)
AT	Ignition transformer	PEL	Wall socket
CF	Oven commutator	PIF	Cooking programmer
CP	Plate commutator(Normal end Rapid)	POT	Thermostated potentiometer
CT	Plate commutator(Automatic)	PT	Termoprotector
DC DR	Double Knob double crown burner control card	PTC	Thermostated sensor
EV	Electro-Valve	RCE	Grill heating element ex- ternal
FC	End of cooking programmer	RCI	Grill heating element internal
FRONT	Daschboard	RE	Energy regulator
I/LF	OVEN LIGHT SWITCH	RF	Oven lower heating element
I/LF-MG	OVEN LIGHT SWITCH + ROTISSERIE	RG	Grill heating element
I/MG	TURNSPIT SWITCH	RG COM	Grill heating element un- ion
IL	Knobs' Lighting	RV	Heating element ventilated oven
ILG	Lamp switch turnspit	SA	Boiler operating led
IT	Thermostated switch	SB	Thermostated burner led
L	Line (Feed)	SF	Warning light working
LF	Oven light	SO	Probe temperature
LI	Oven light	SP	Operating Indicator Light for the Plate
M	Suction motor handle	ST	Warning light thermostat
MG	Turnspit motor	TH	Thermostat fixed
MO	Terminal board	TH2	Thermostated burner cooling
MUFF	Oven	THR	Adjustable thermostat
MV	Fan motor	TP	Termoprotector
N	Neutral (Feed)	TRAV	Support terminal board
PA	Ignition push-button	TRM	Thermostated burner control card